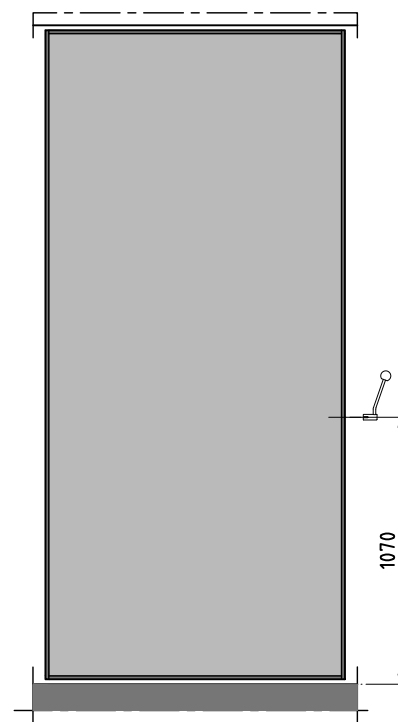
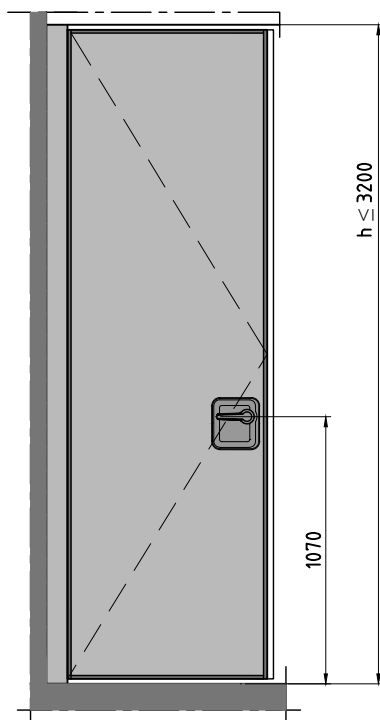


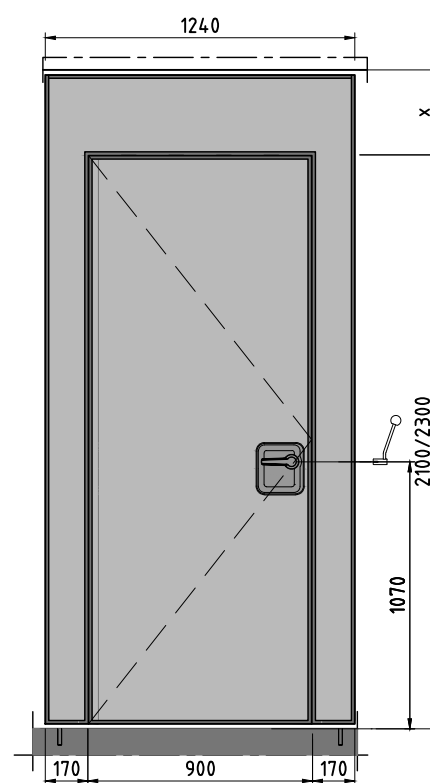
Telescopic panel



Basic panel



Communication panel



Door panel

Manuel, x = min 340mm / Semi-automatic, x = min 410mm

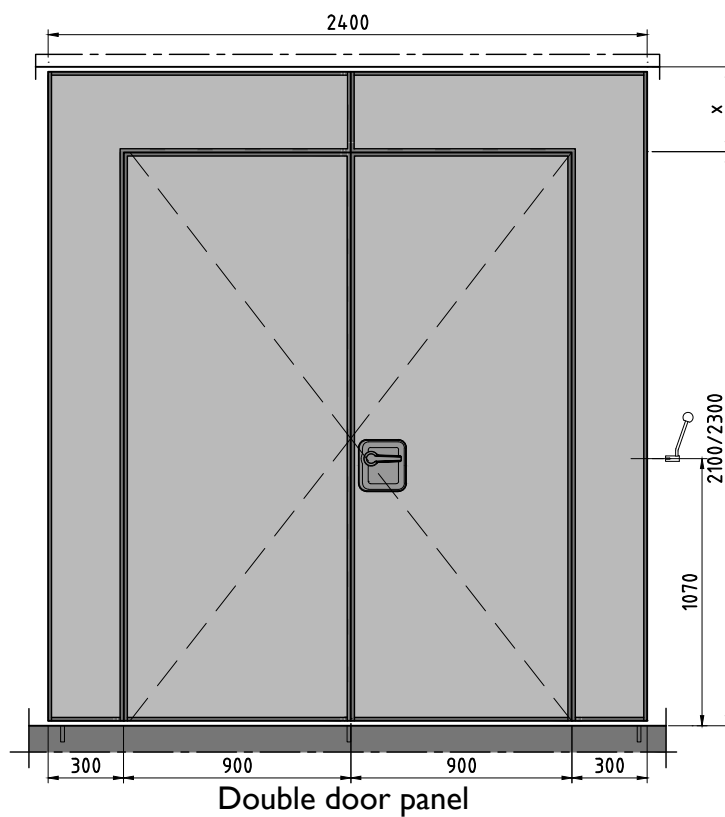
ESPERO

www.espero.eu
 info@espero.eu
 +31(0)416 338955

Type: Sonico 100

Date: 10-2020

Drawing no: S100.01



Manuel, x = min 340mm / Semi-automatic, x = min 410mm

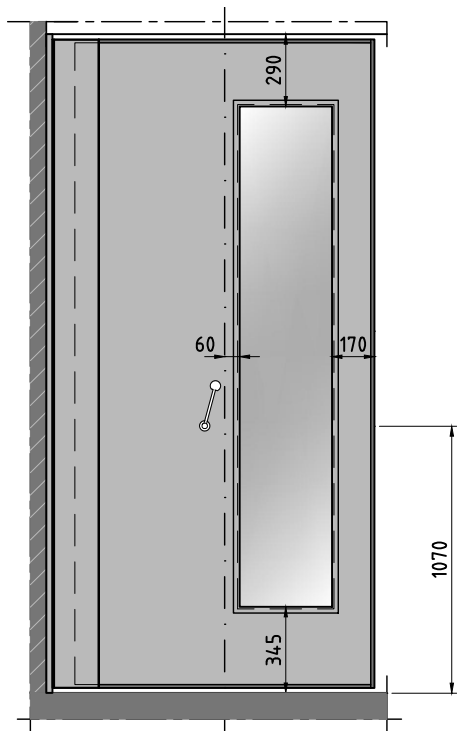
ESPERO

www.espero.eu
 info@espero.eu
 +31(0)416 338955

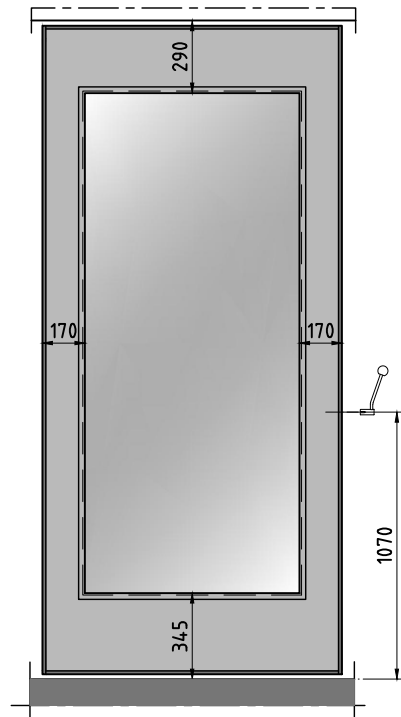
Type: Sonico 100

Date: 10-2020

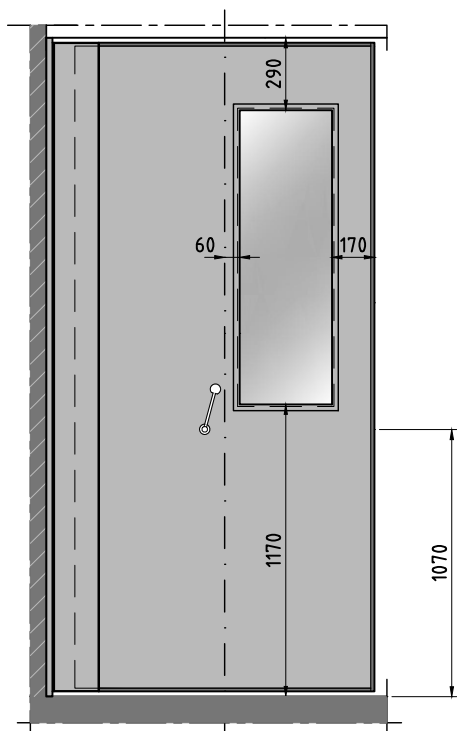
Drawing no: S100.02



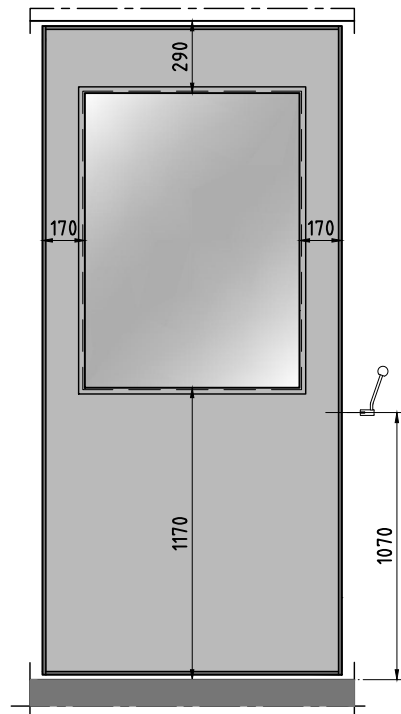
Telescopic panel - maximum glass opening



Basic panel - maximum glass opening



Telescopic panel - standard glass opening



Basic panel - standard glass opening

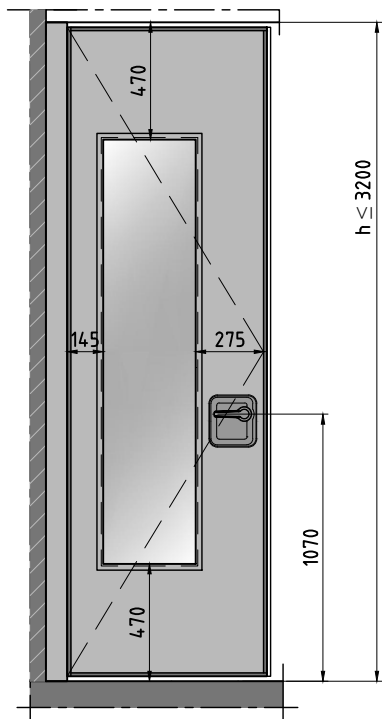
ESPERO

www.espero.eu
 info@espero.eu
 +31(0)416 338955

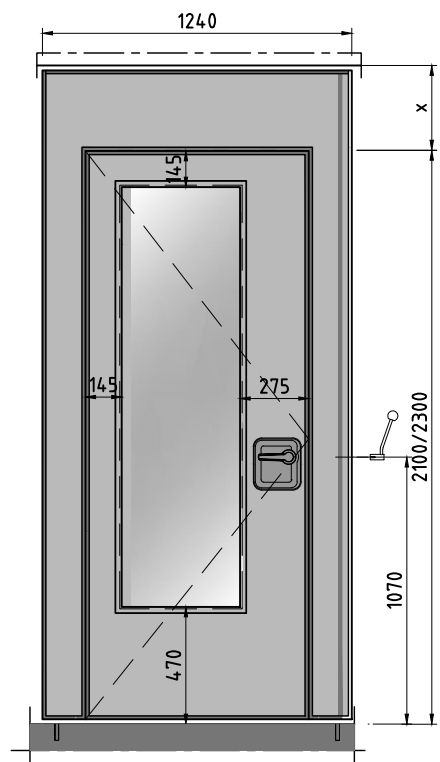
Type: Sonico 100

Date: 10-2020

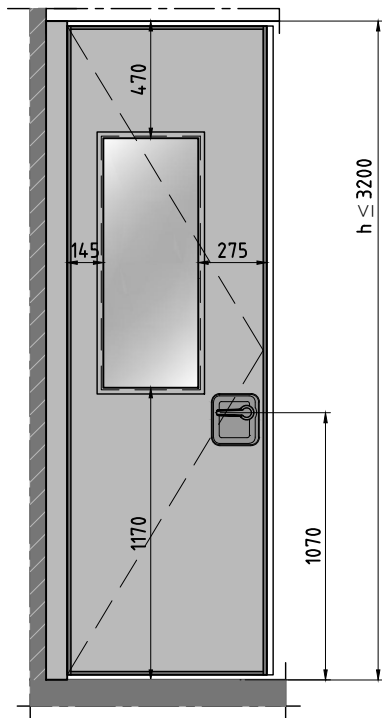
Drawing no: S100.03



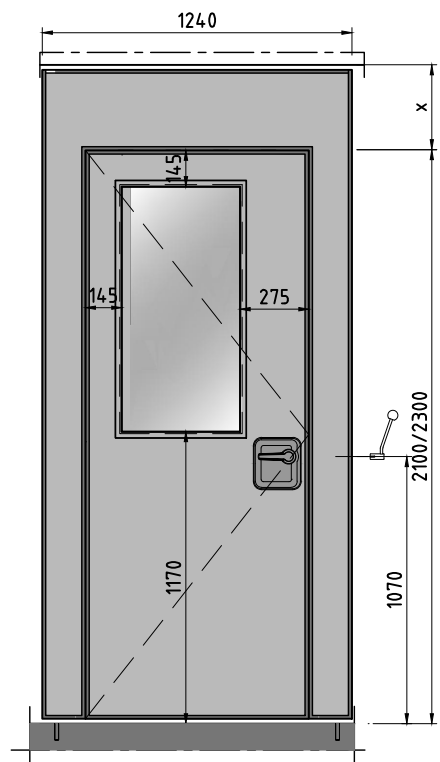
Communication panel - maximum glass opening



Door panel - maximum glass opening



Communication panel - standard glass opening



Door panel - standard glass opening

Manuel, x = min 340mm / Semi-automatic, x = min 410mm

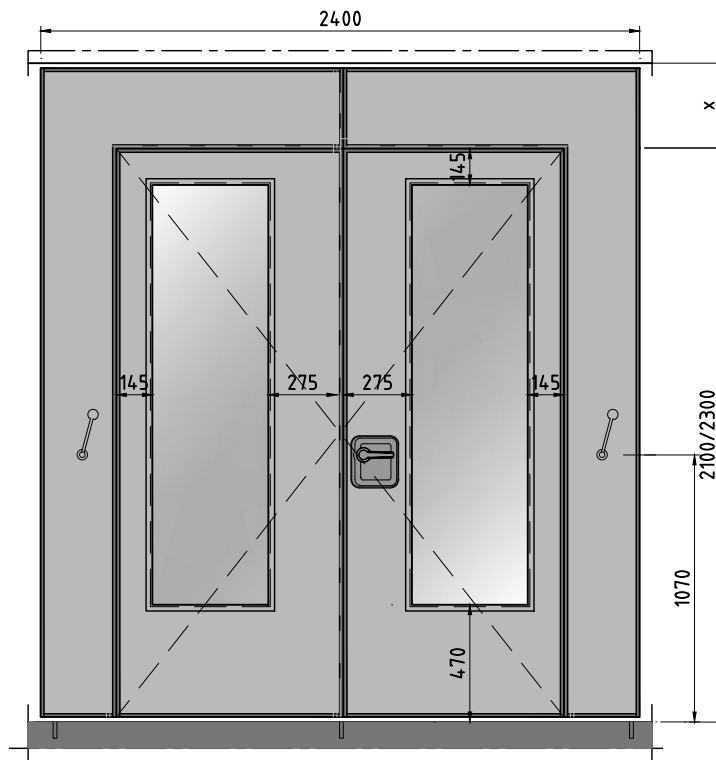
ESPERO

www.espero.eu
 info@espero.eu
 +31(0)416 338955

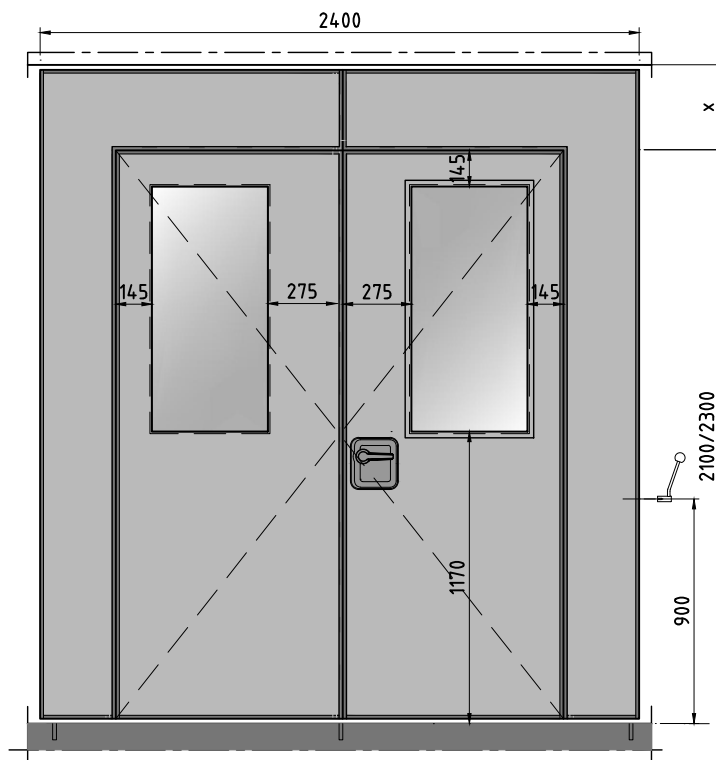
Type: Sonico 100

Date: 10-2020

Drawing no: S100.04



Double door panel - maximum glass opening



Double door panel - standard glass opening

Manuel, x = min 340mm / Semi-automatic, x = min 410mm

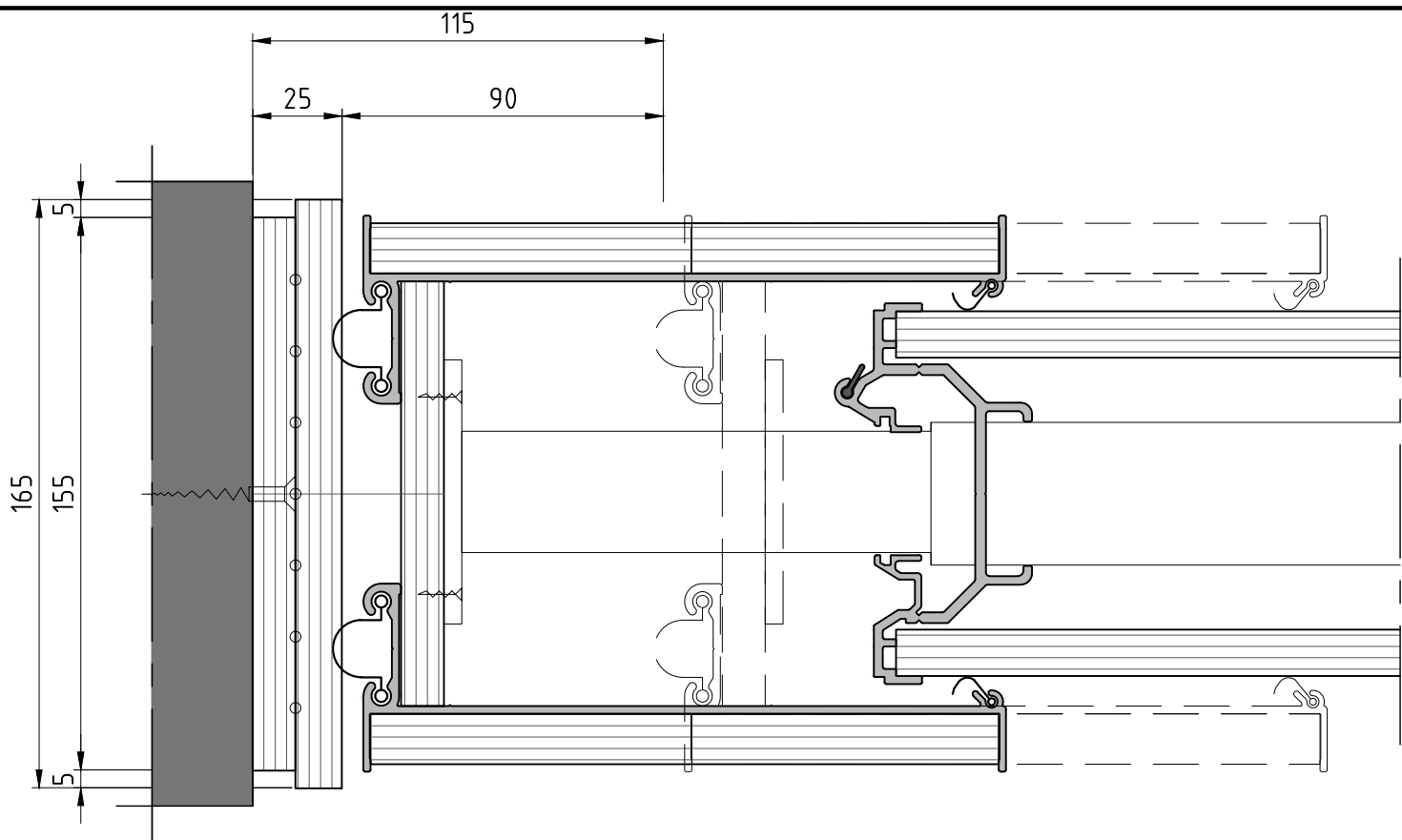
ESPERO

www.espero.eu
 info@espero.eu
 +31(0)416 338955

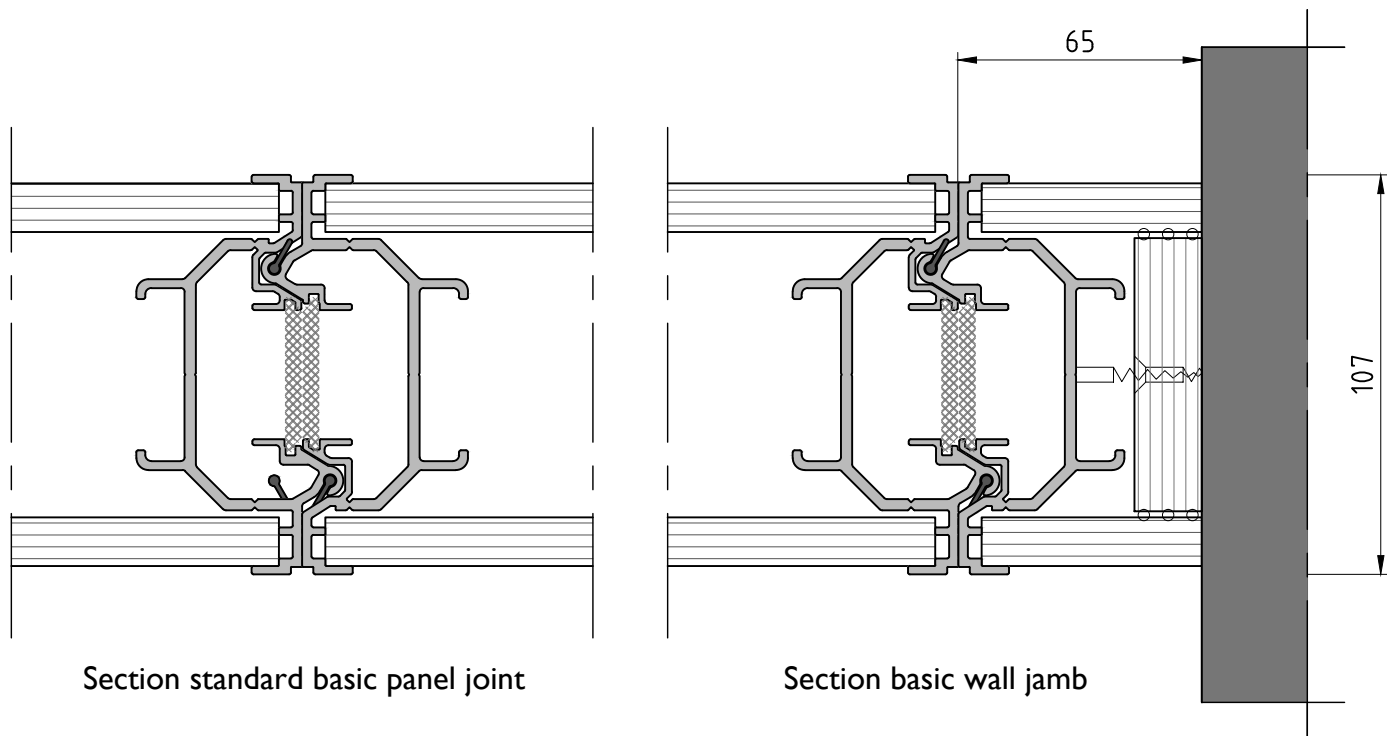
Type: Sonico 100

Date: 10-2020

Drawing no: S100.05



Section telescopic wall jamb



Section standard basic panel joint

Section basic wall jamb

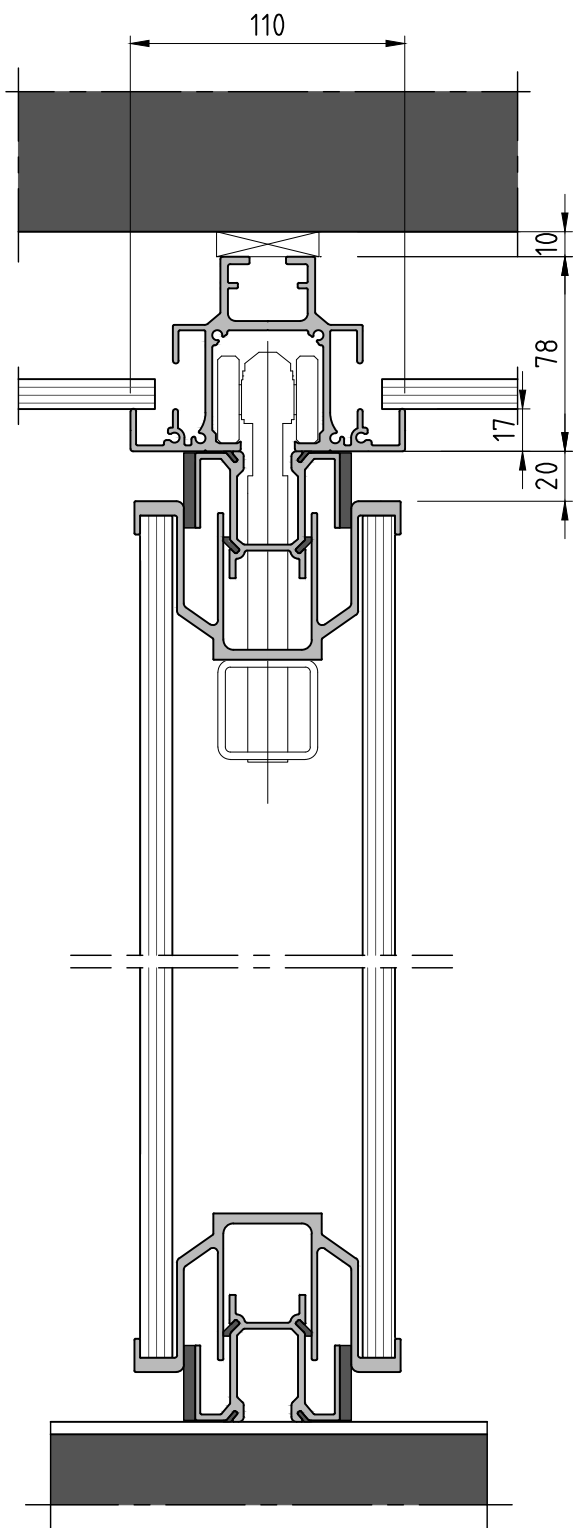
ESPERO

Espero BV
Postbus 576
5140 AN Waalwijk

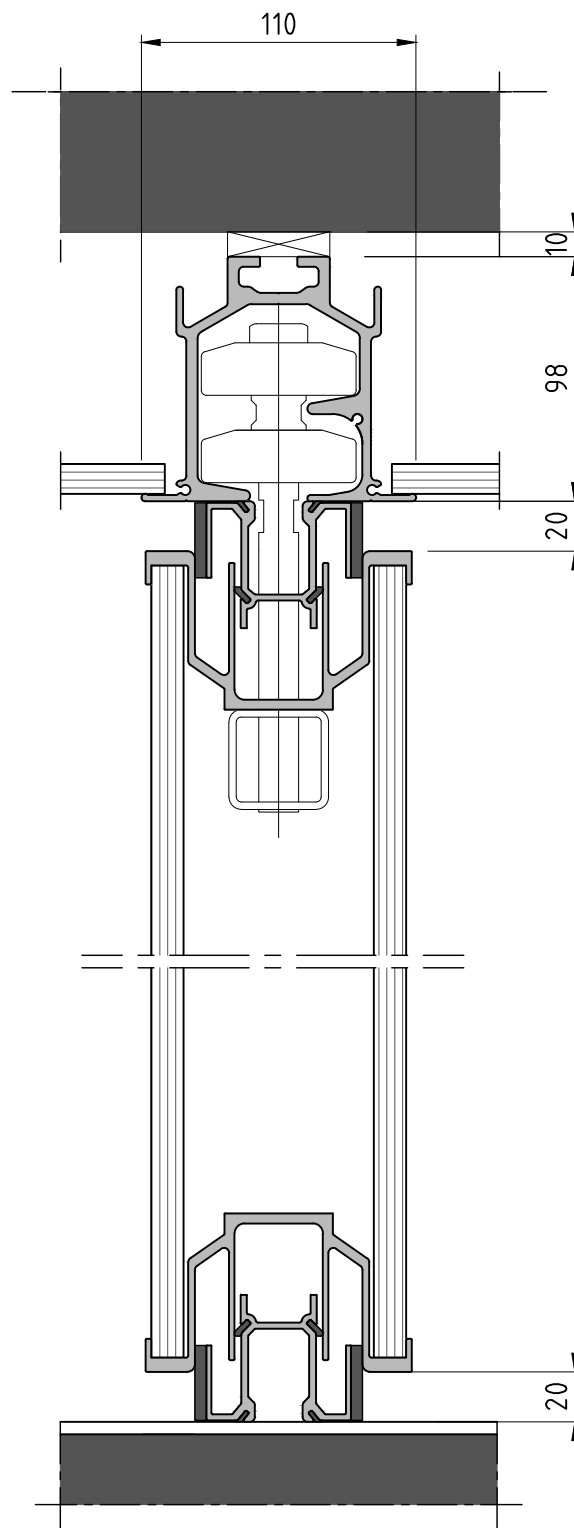
Type: Sonico 100

Date: 10-2020

Drawing no: 100.06



1-point suspension



2-point suspension

Please note: track fixation is an example. Please see suspension details for possibilities.

ESPERO

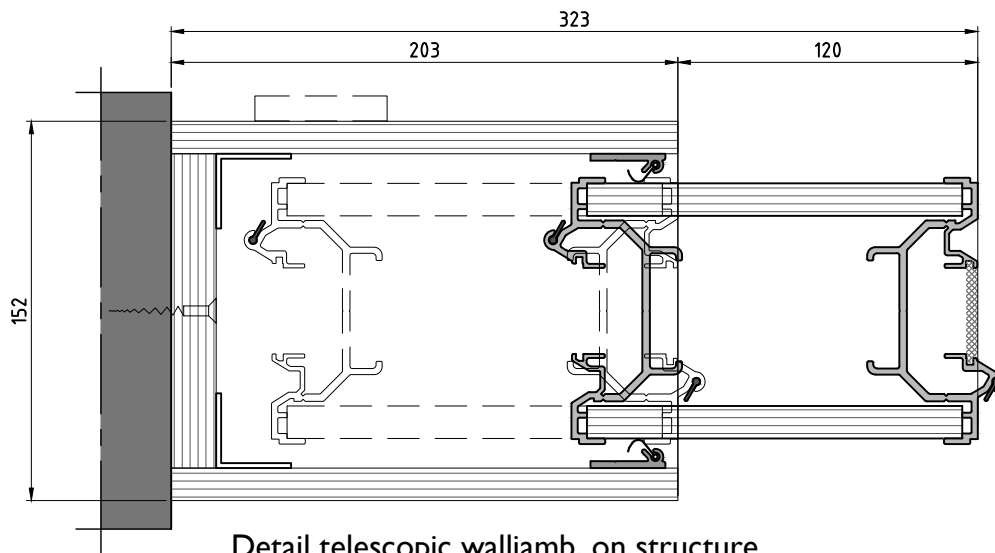
Espero BV
Postbus 576
5140 AN Waalwijk

T +31 (0)416 338955 info@espero.nl www.espero.nl • mobiele wanden

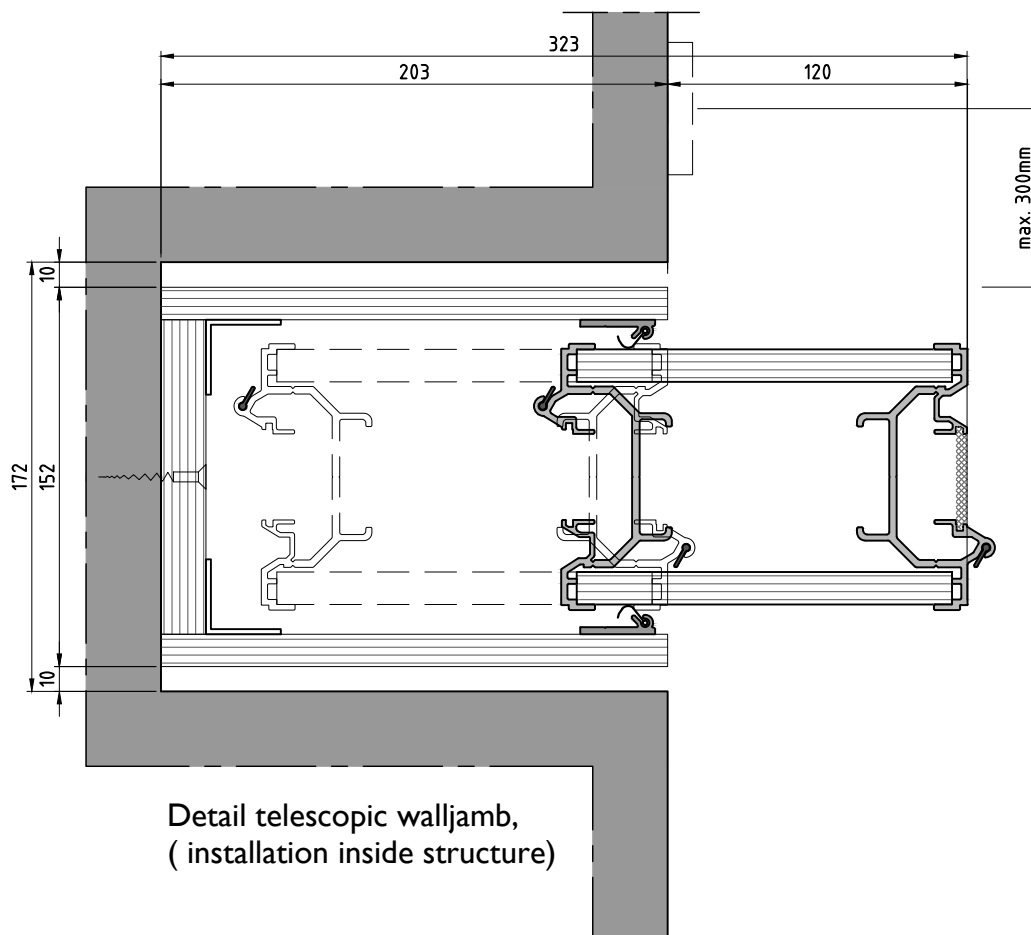
Type: Sonico 100

Date: 10-2020

Drawing no: 100.07



Detail telescopic walljamb, on structure



Detail telescopic walljamb,
(installation inside structure)

ESPERO

www.espero.eu
info@espero.eu
+31(0)416 338955

Type: Sonico 100

Date: 10-2020

Drawing no: S100-07