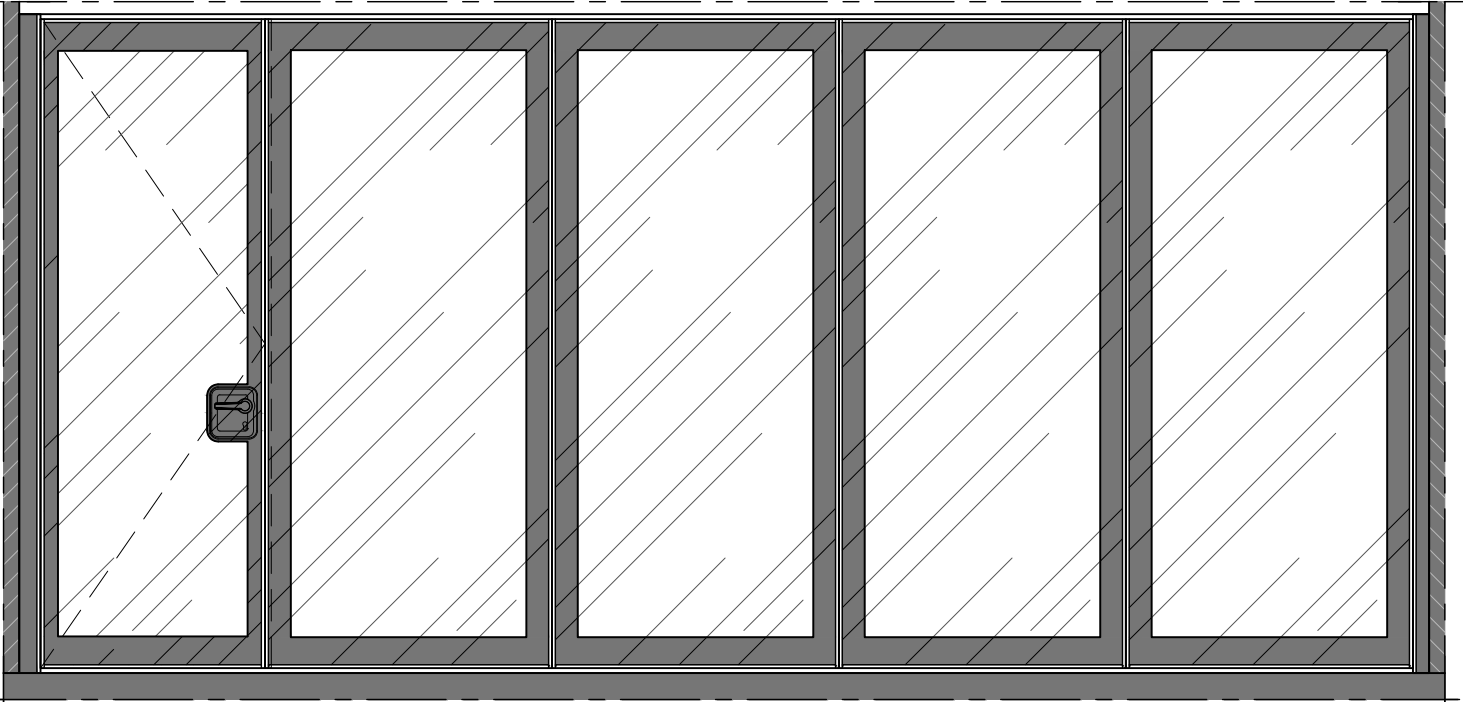


Visio 100 Elite laquered glass



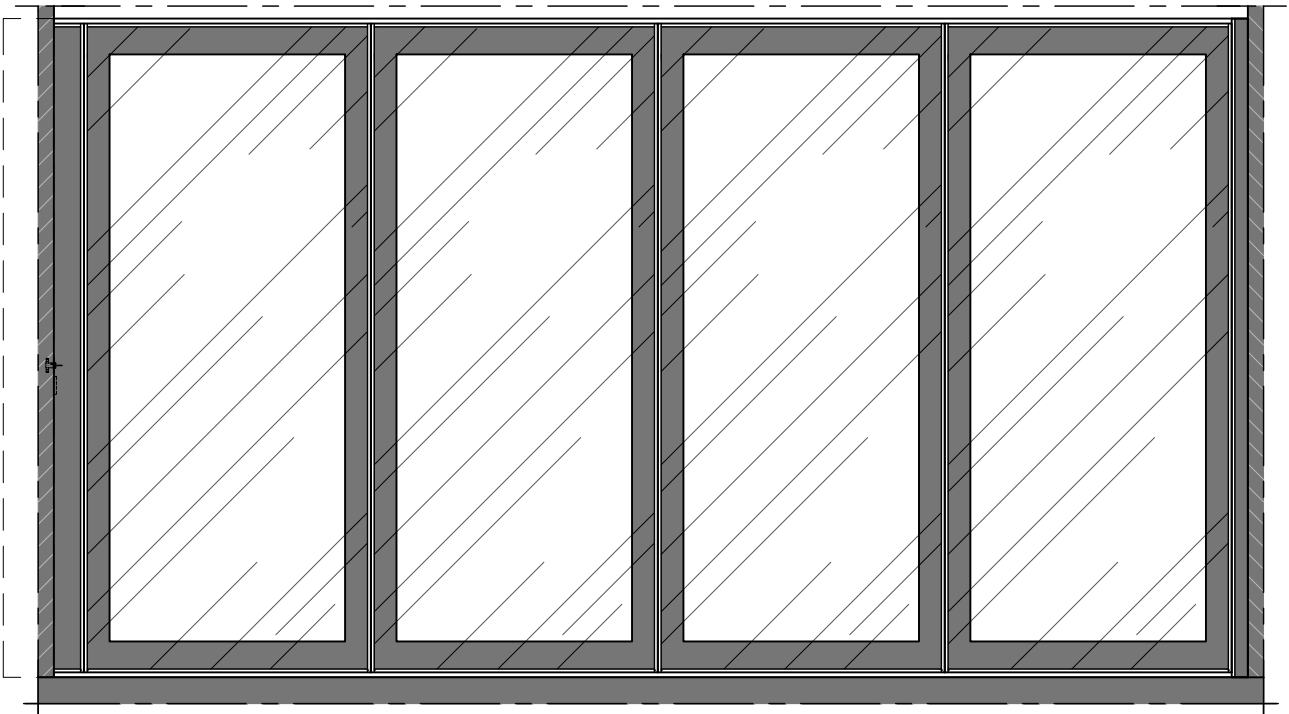
Communication
panel

Basic panel

Basic panel

Basic panel

Basic panel



ESPERO

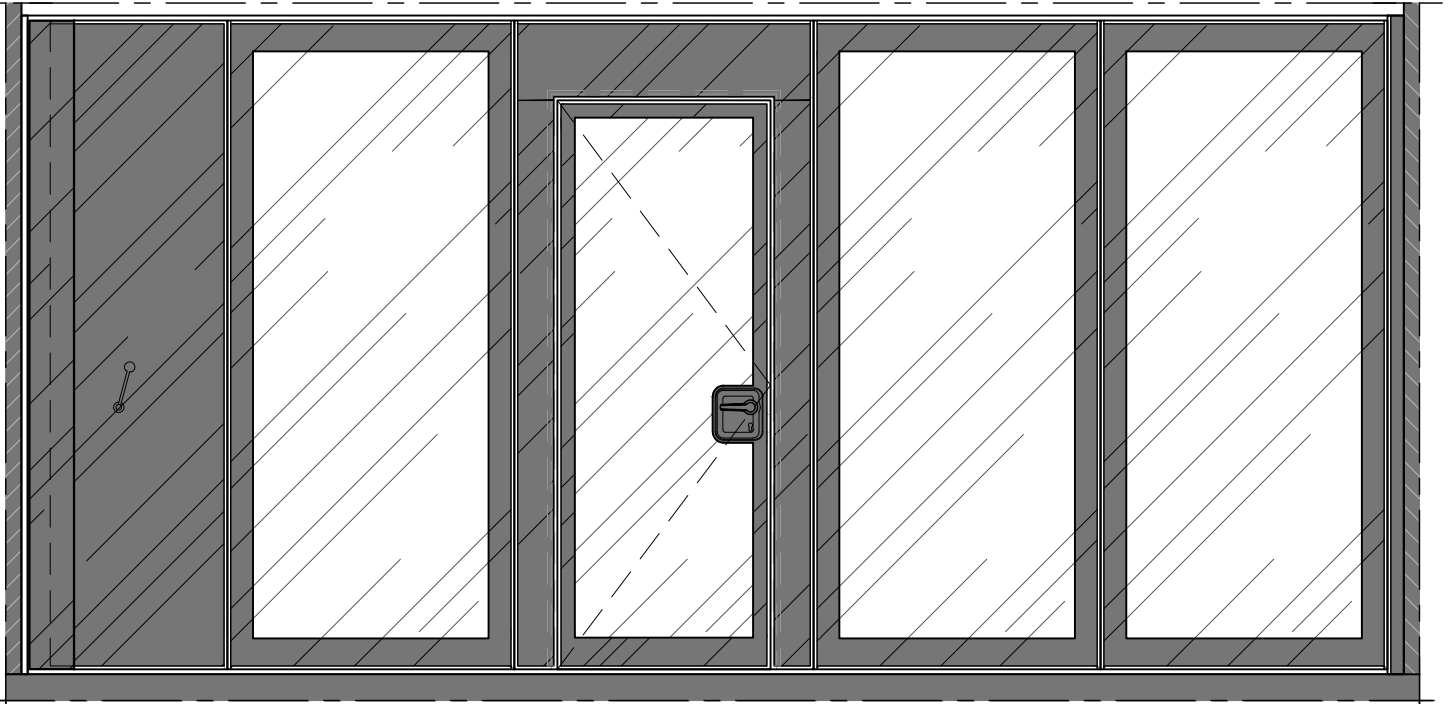
www.espero.eu
info@espero.eu
+31(0)416 338955

Type: Visio 100 Elite

Date: 10-2020

Drawing no: V100E-01

Visio 100 Elite laquered glass



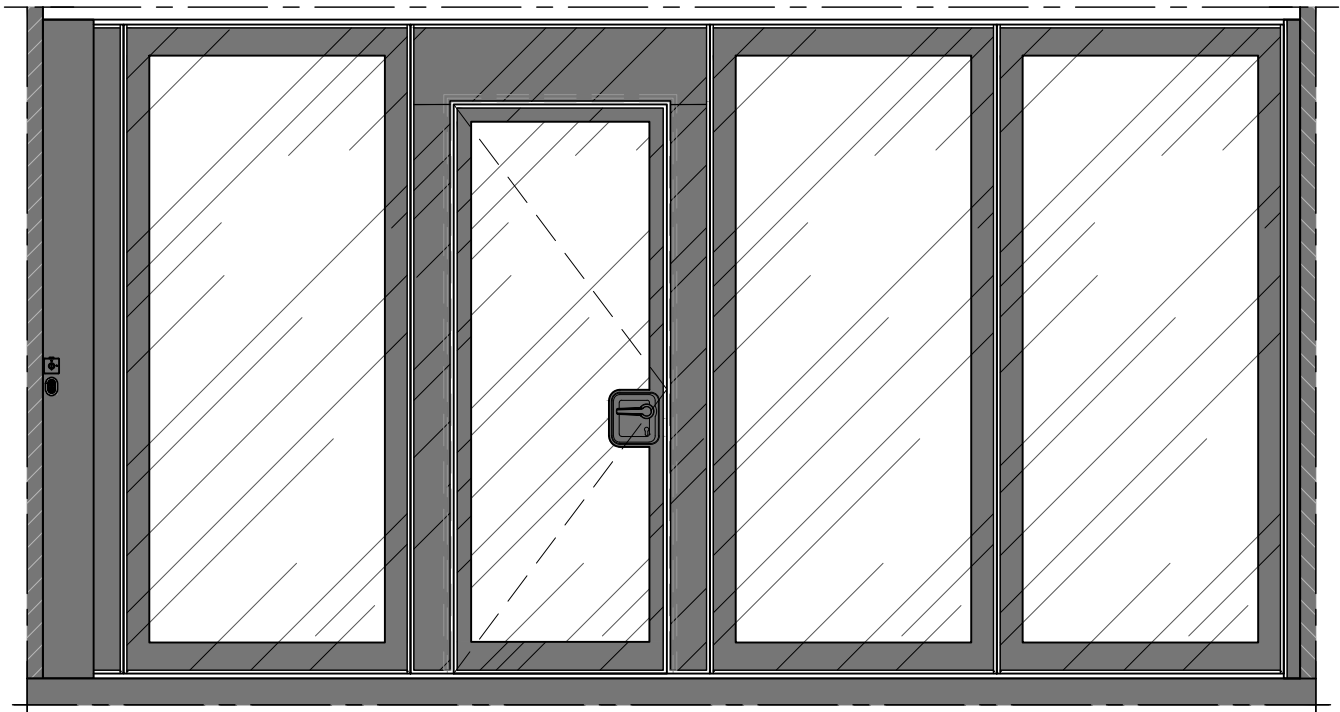
Telescopic
panel

Basic panel

Deurpaneel

Basic panel

Basic panel



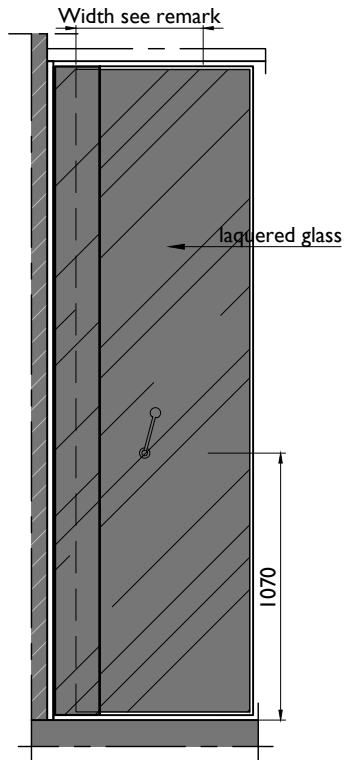
ESPERO

www.espero.eu
info@espero.eu
+31(0)416 338955

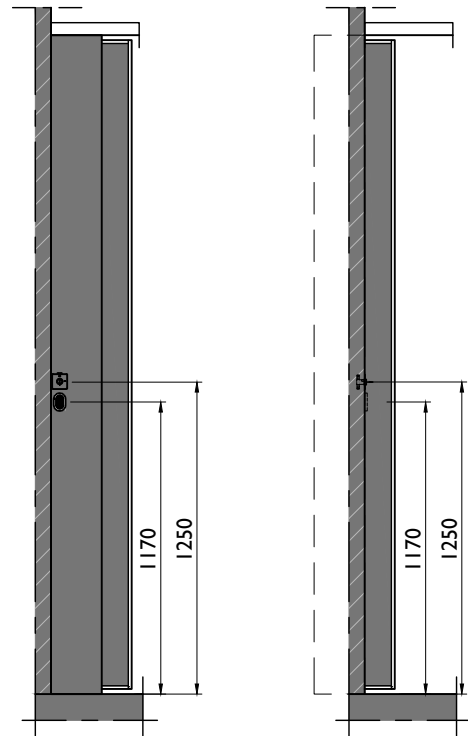
Type: Visio 100 Elite

Date: 10-2020

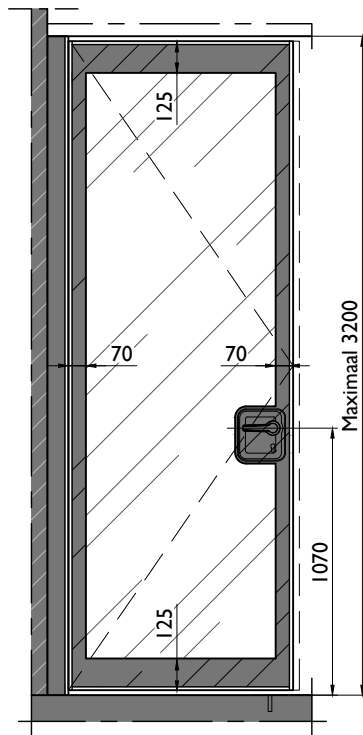
Drawing no: V100E-02



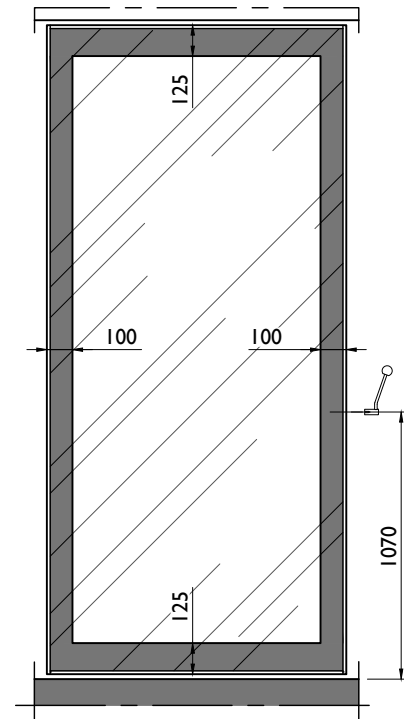
Telescopic panel



Telescopische wandlijst



Commucation panel



Basic panel

Width 1-point Telescopic panel: minimum 600 / maximum 1200

Width 2-point Telescopic panel: minimum 710 / maximum 1200

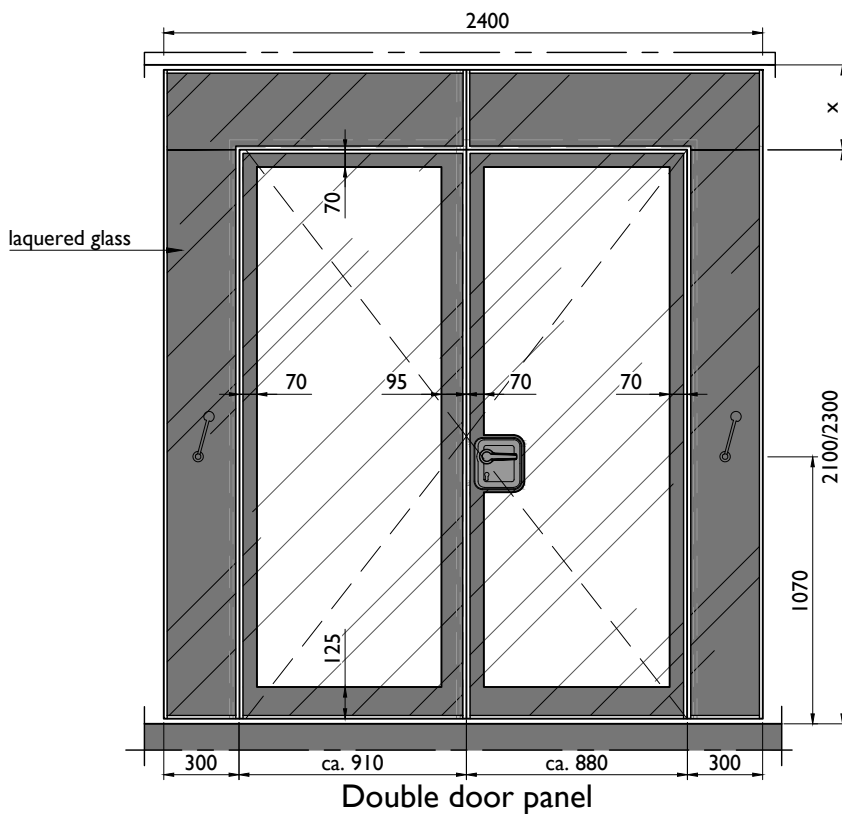
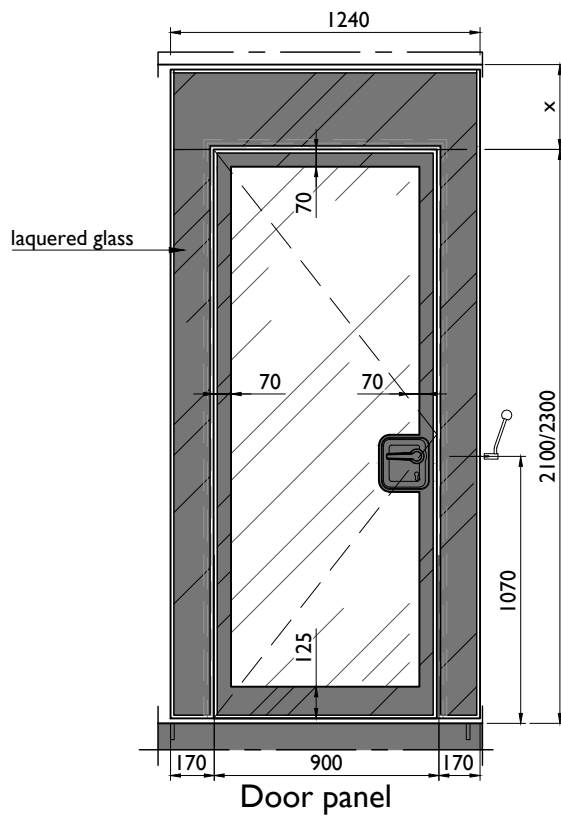
ESPERO

www.espero.eu
 info@espero.eu
 +31(0)416 338955

Type: Visio 100 Elite

Date: 10-2020

Drawing no: V100E-03



Manuel, x = min 340 / Semi-automatic, x = min 410

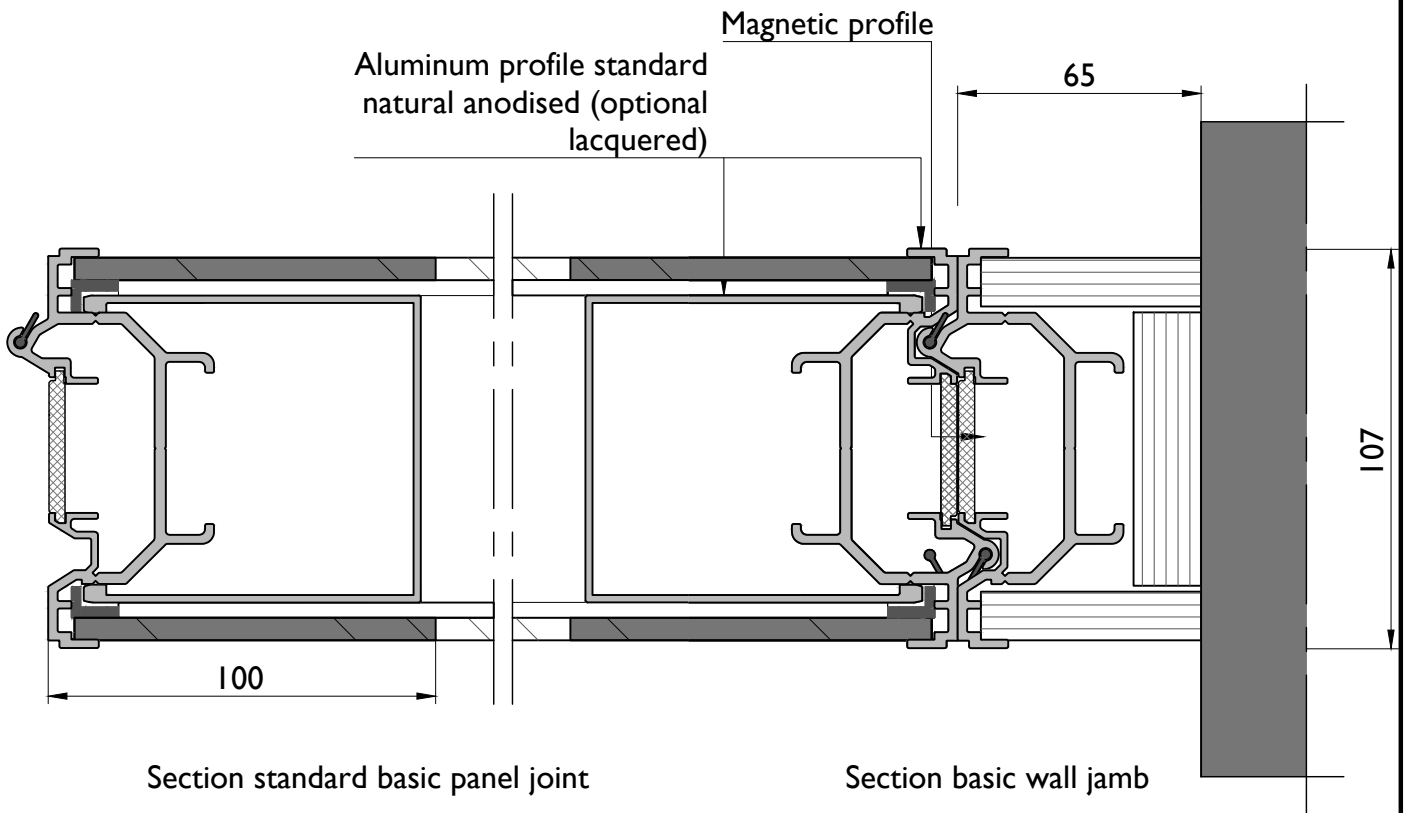
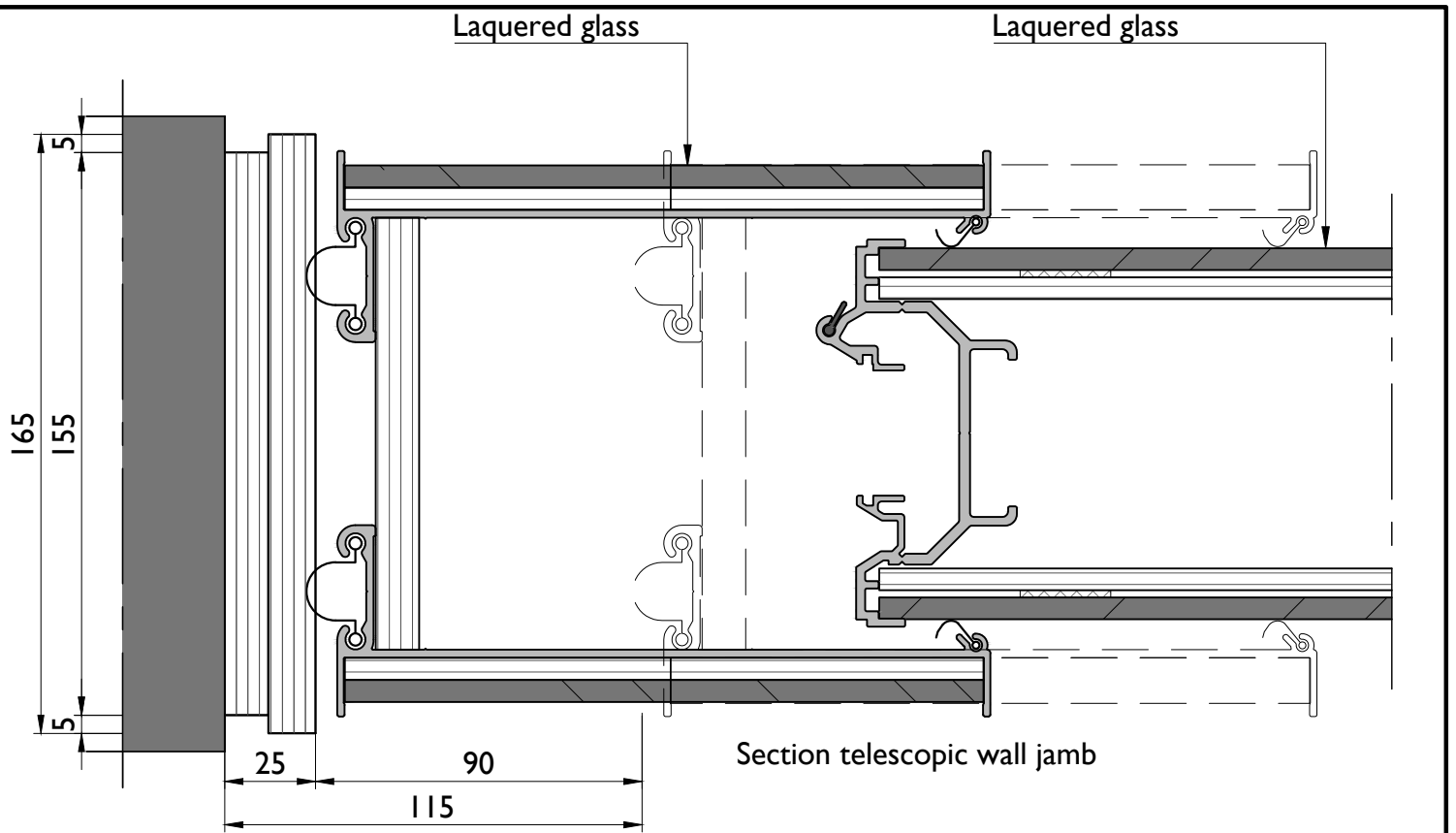
ESPERO

www.espero.eu
 info@espero.eu
 +31(0)416 338955

Type: Visio 100 Elite

Date: 10-2020

Drawing no: V100E-04



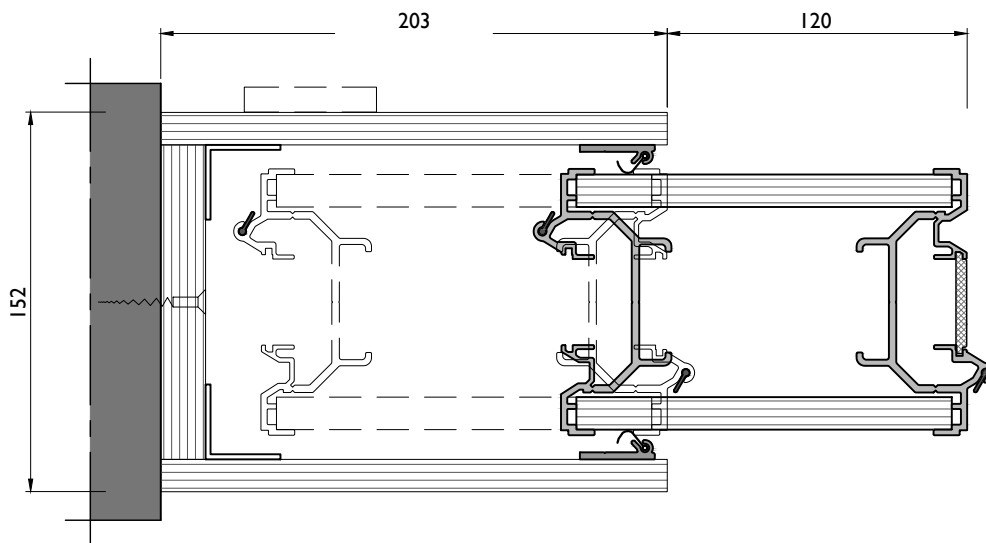
ESPERO

www.espero.eu
 info@espero.eu
 +31(0)416 338955

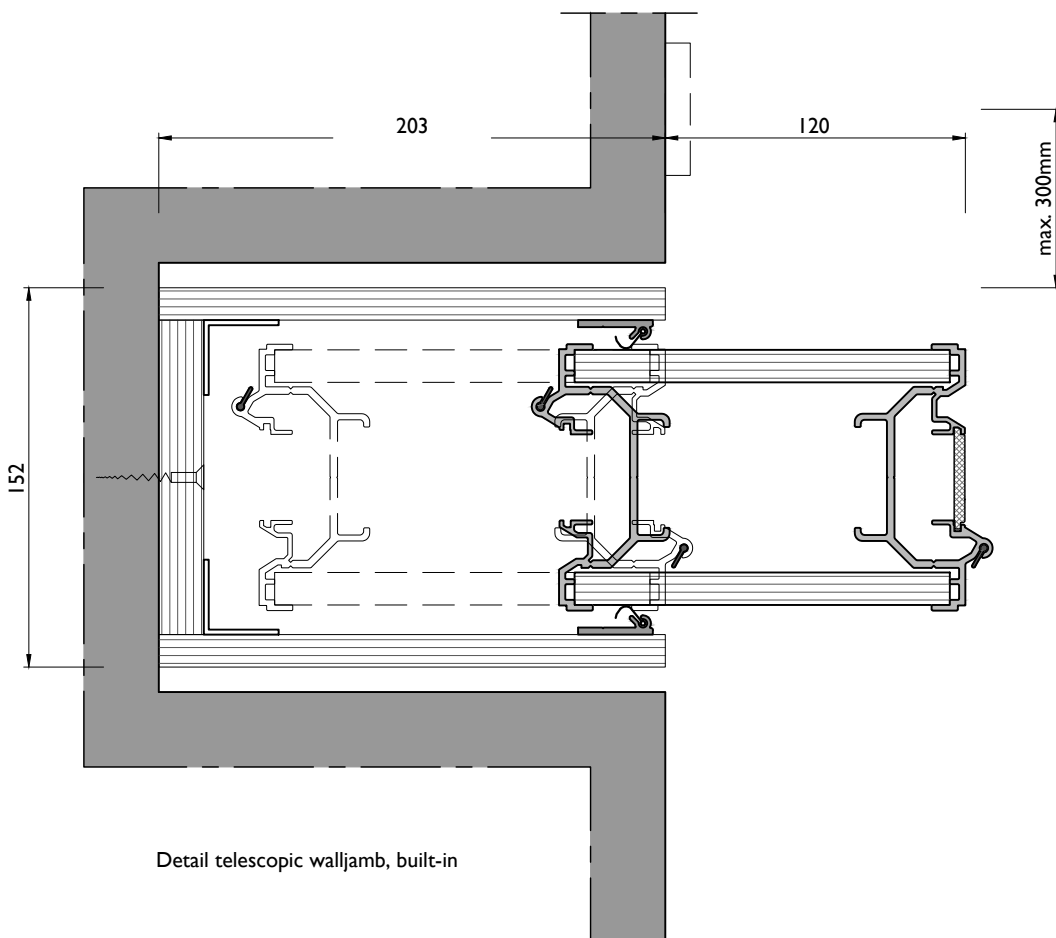
Type: Visio 100 Elite

Date: 10-2020

Drawing no: V100E-05



Detail telescopic walljamb,
direct on structure



Detail telescopic walljamb, built-in

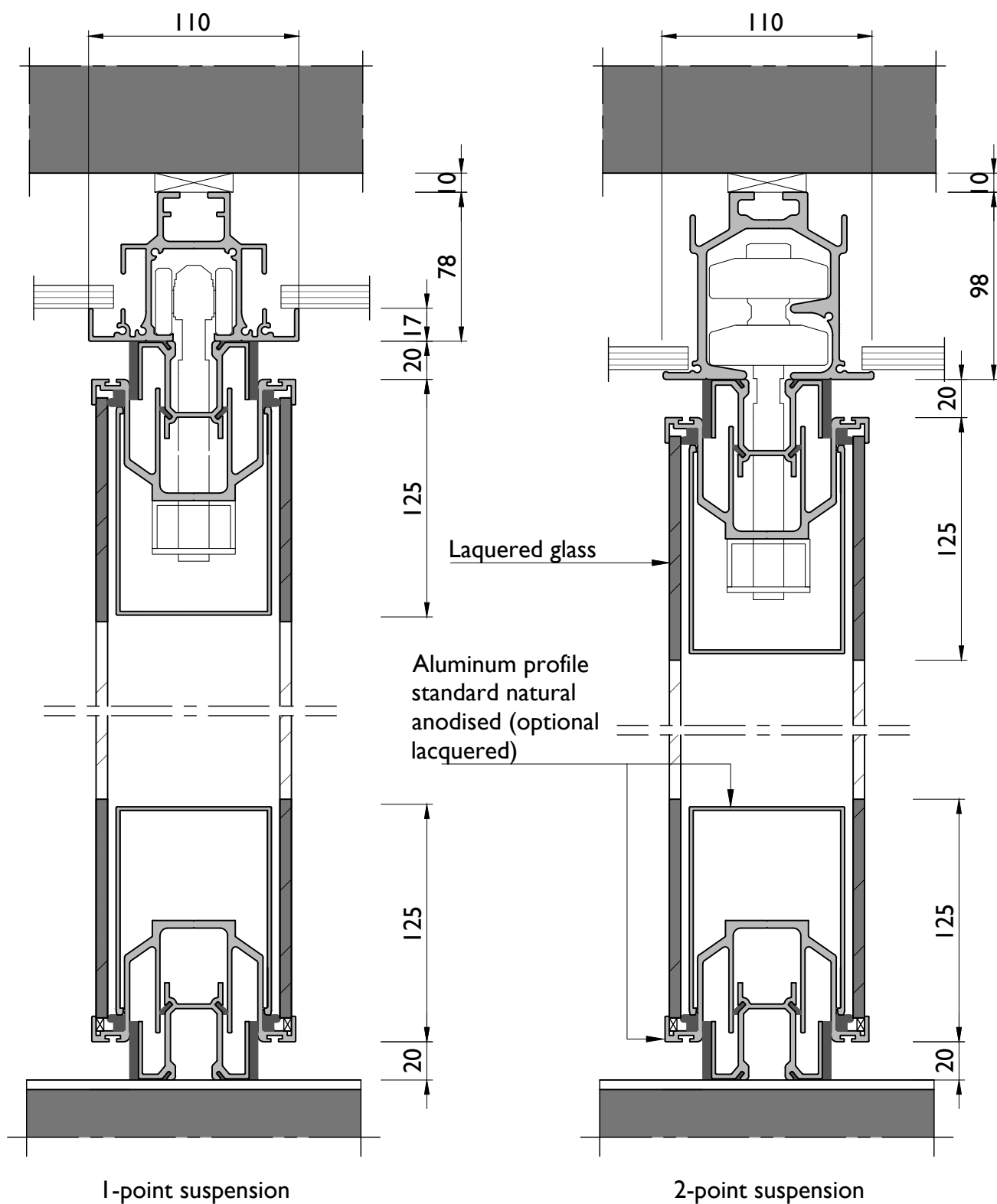
ESPERO

www.espero.eu
info@espero.eu
+31(0)416 338955

Type: Visio 100 Elite

Date: 10-2020

Drawing no: V100E-06



Please note: track fixation is an example. Please see suspension details for possibilities.

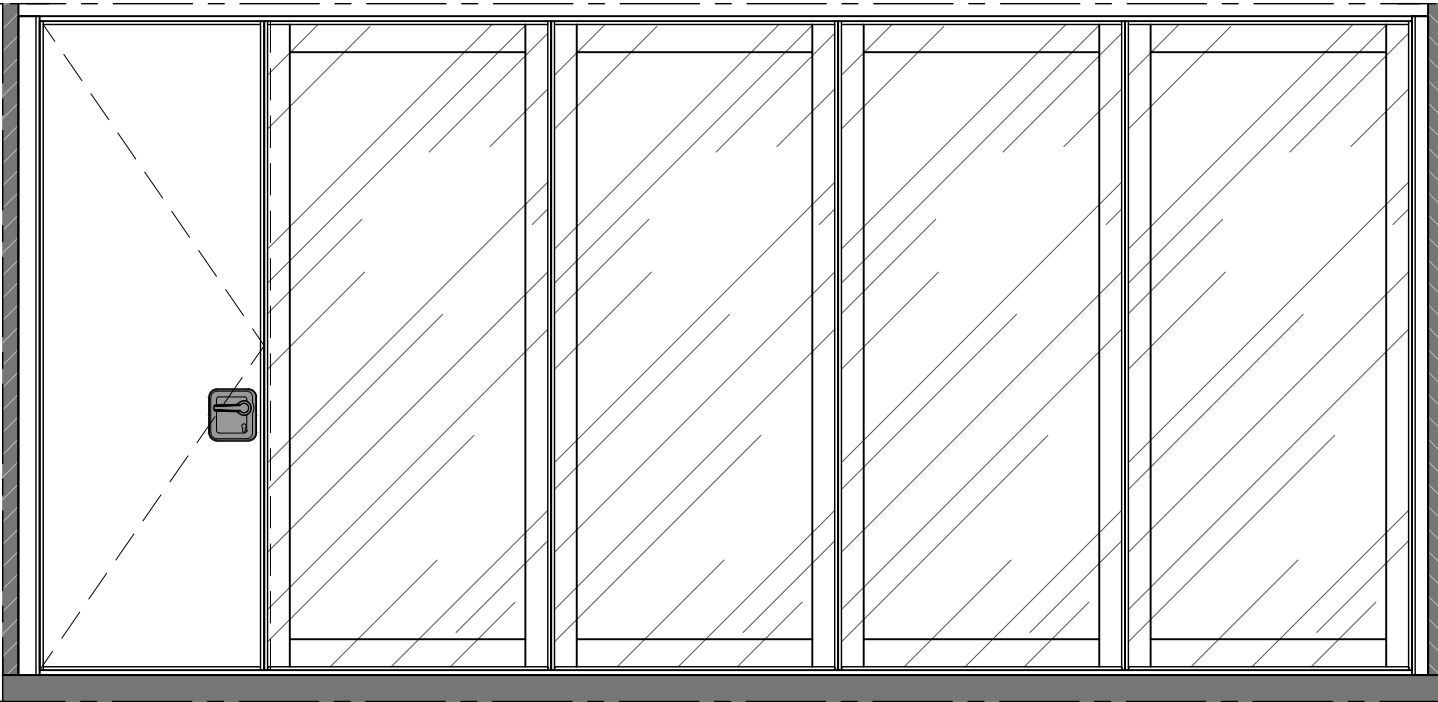
ESPERO

www.espero.eu
 info@espero.eu
 +31(0)416 338955

Type: Visio 100 Elite

Date: 10-2020

Drawing no: V100E-07



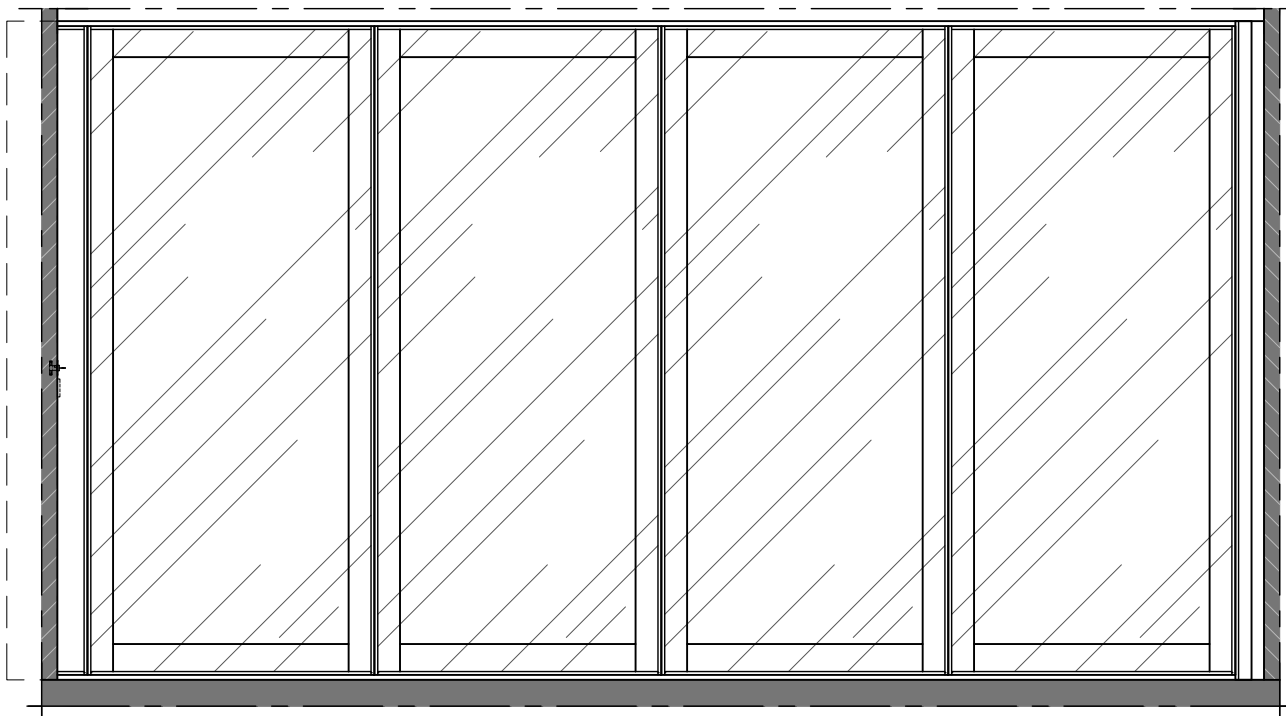
Communication panel

Basic panel

Basic panel

Basic panel

Basic panel



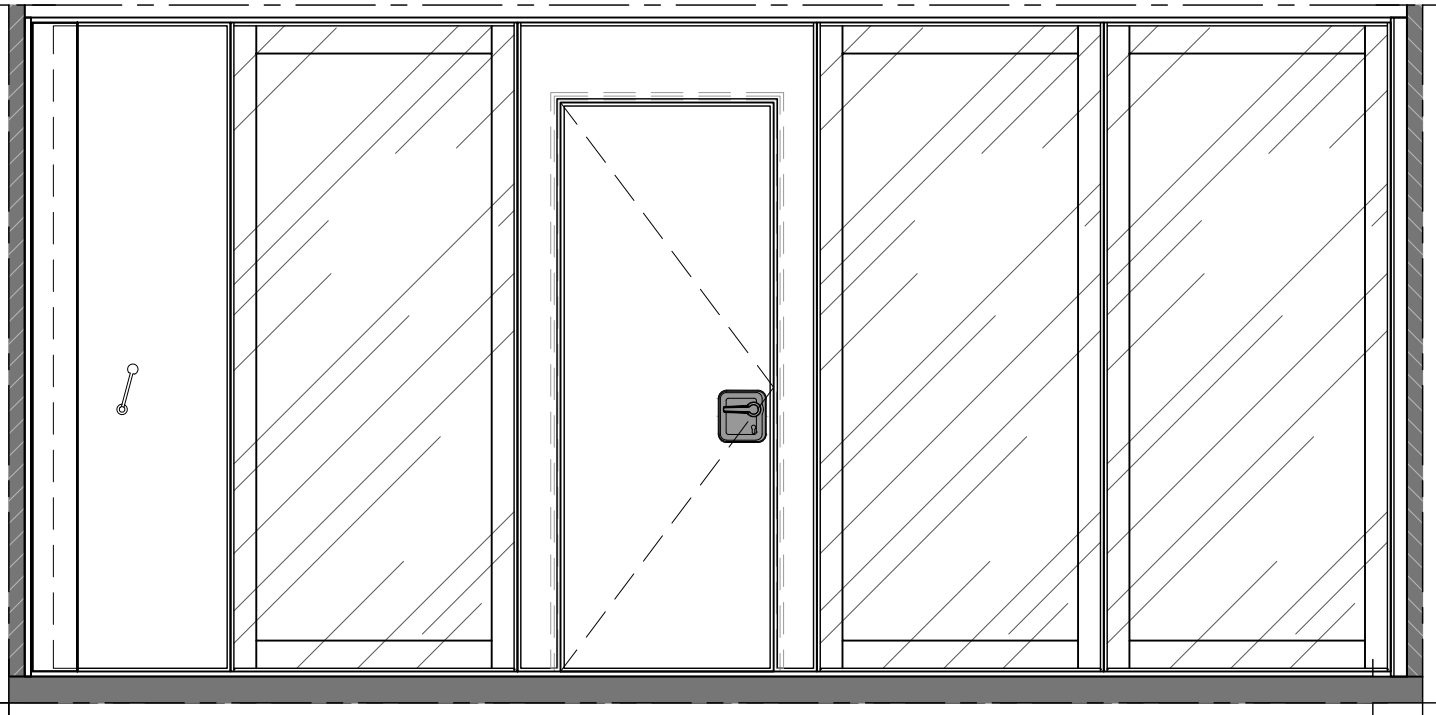
ESPERO

www.espero.eu
info@espero.eu
+31(0)416 338955

Type: Visio 100

Date: 10-2020

Drawing no: V100-08



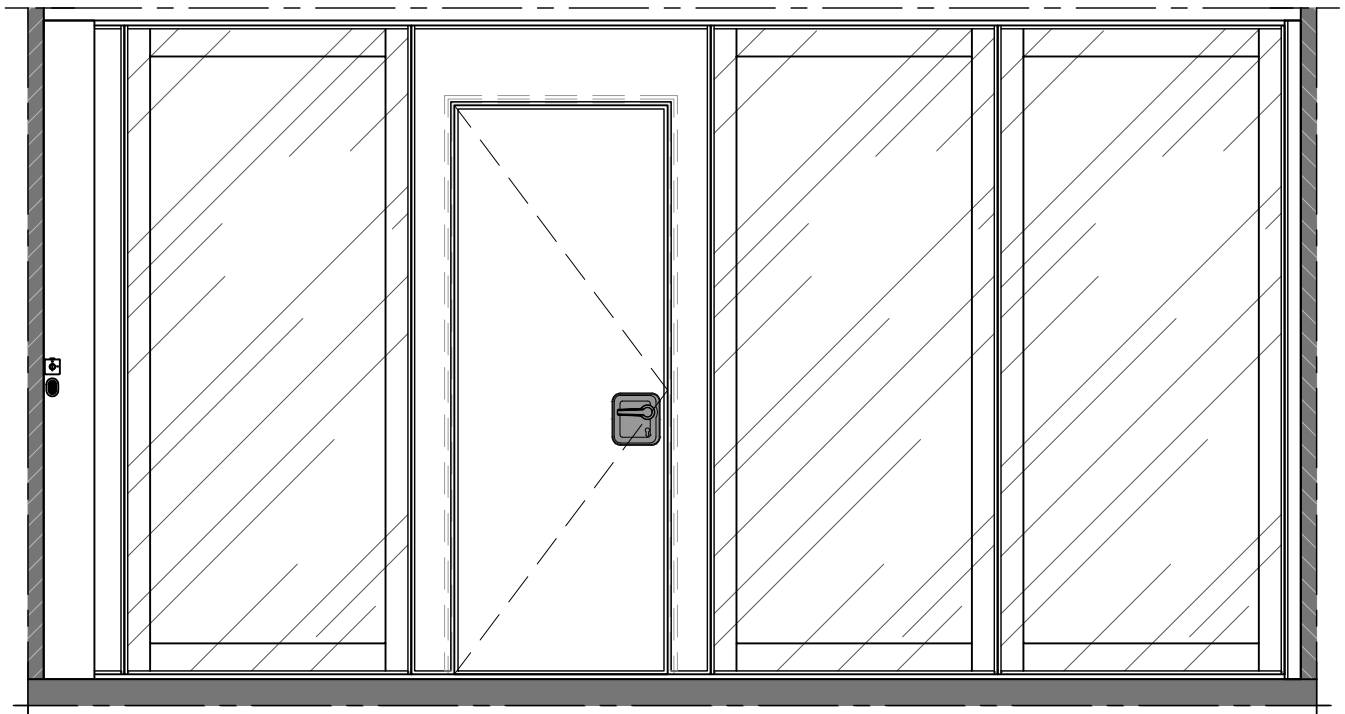
Telescopic panel

Basic panel

Door panel

Basic panel

Basic panel



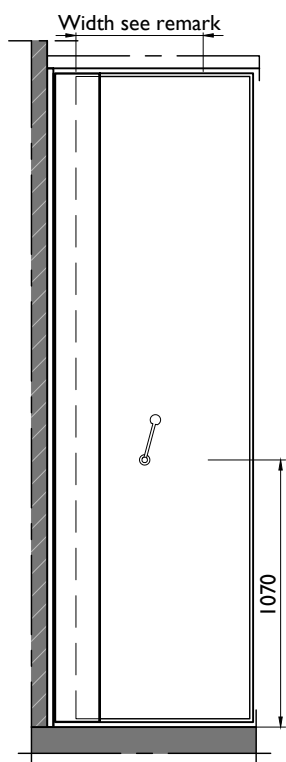
ESPERO

www.espero.eu
 info@espero.eu
 +31(0)416 338955

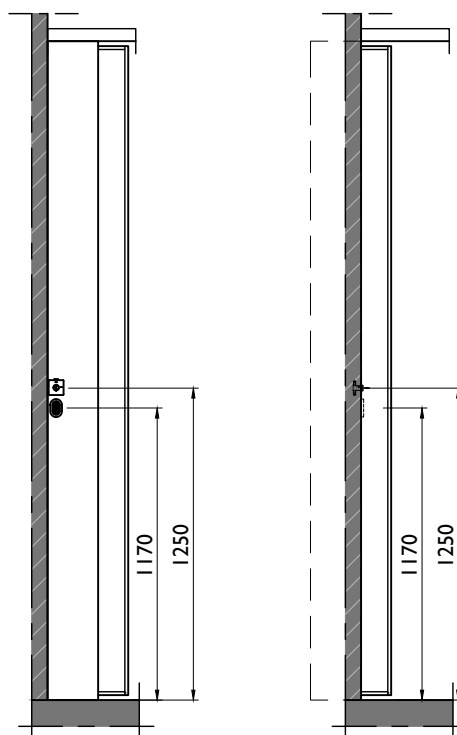
Type: Visio 100

Date: 10-2020

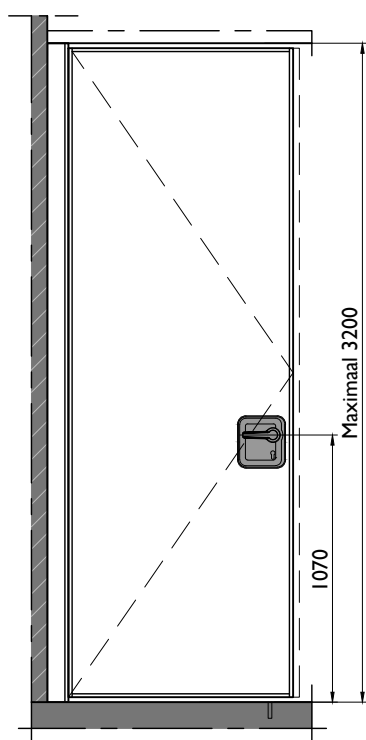
Drawing no: V100-09



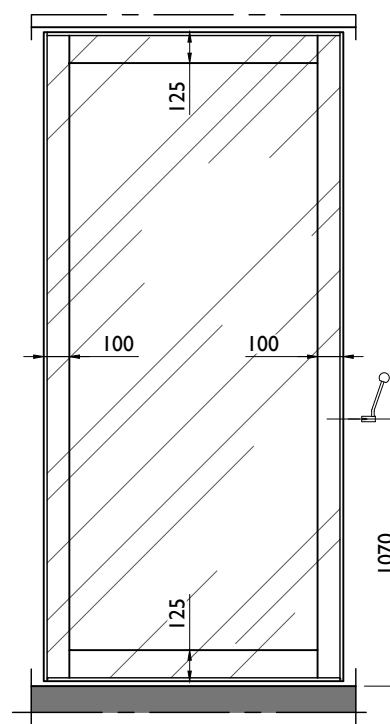
Telescopic panel



Telescopic walljamb



Communication panel



Basic panel

Width 1-point Telescopic panel: minimum 600 / maximum 1200

Width 2-point Telescopic panel: minimum 710 / maximum 1200

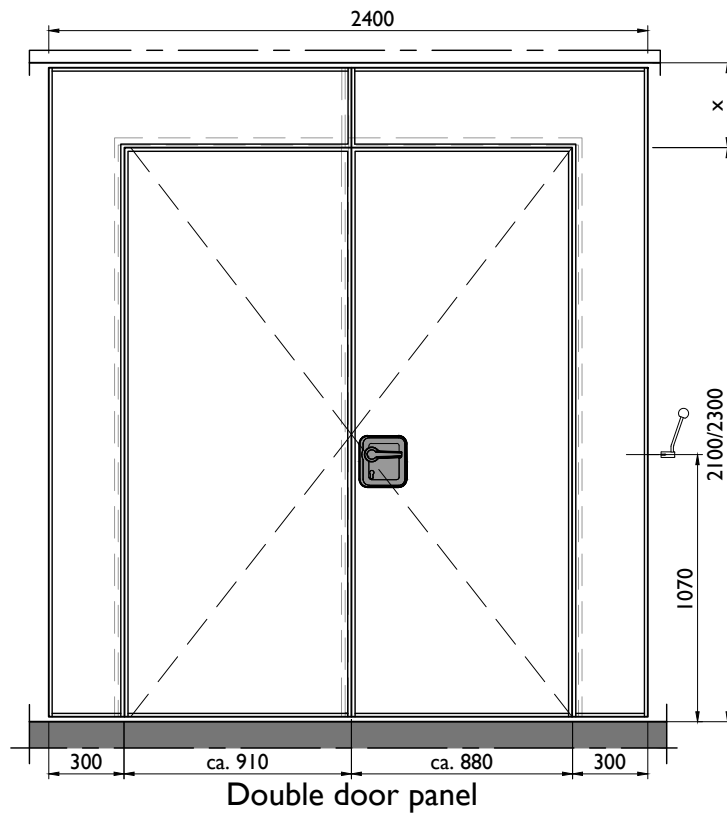
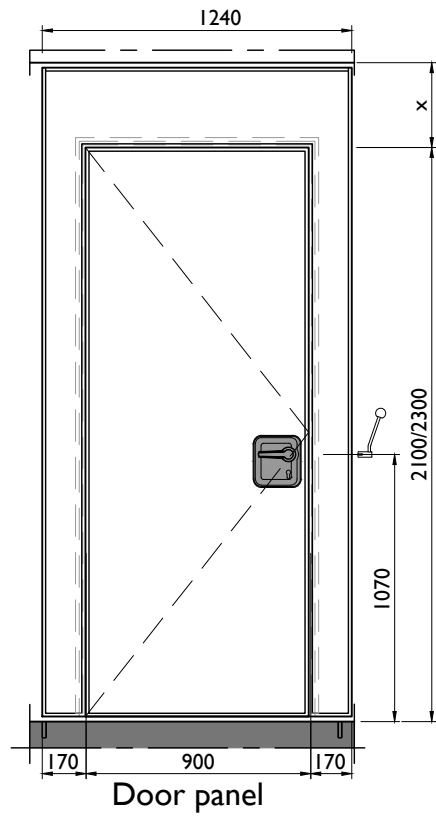
ESPERO

www.espero.eu
 info@espero.eu
 +31(0)416 338955

Type: Visio 100

Date: 10-2020

Drawing no: V100-10



Manuel, x = min 340 / Semi-automatic, x = min 410

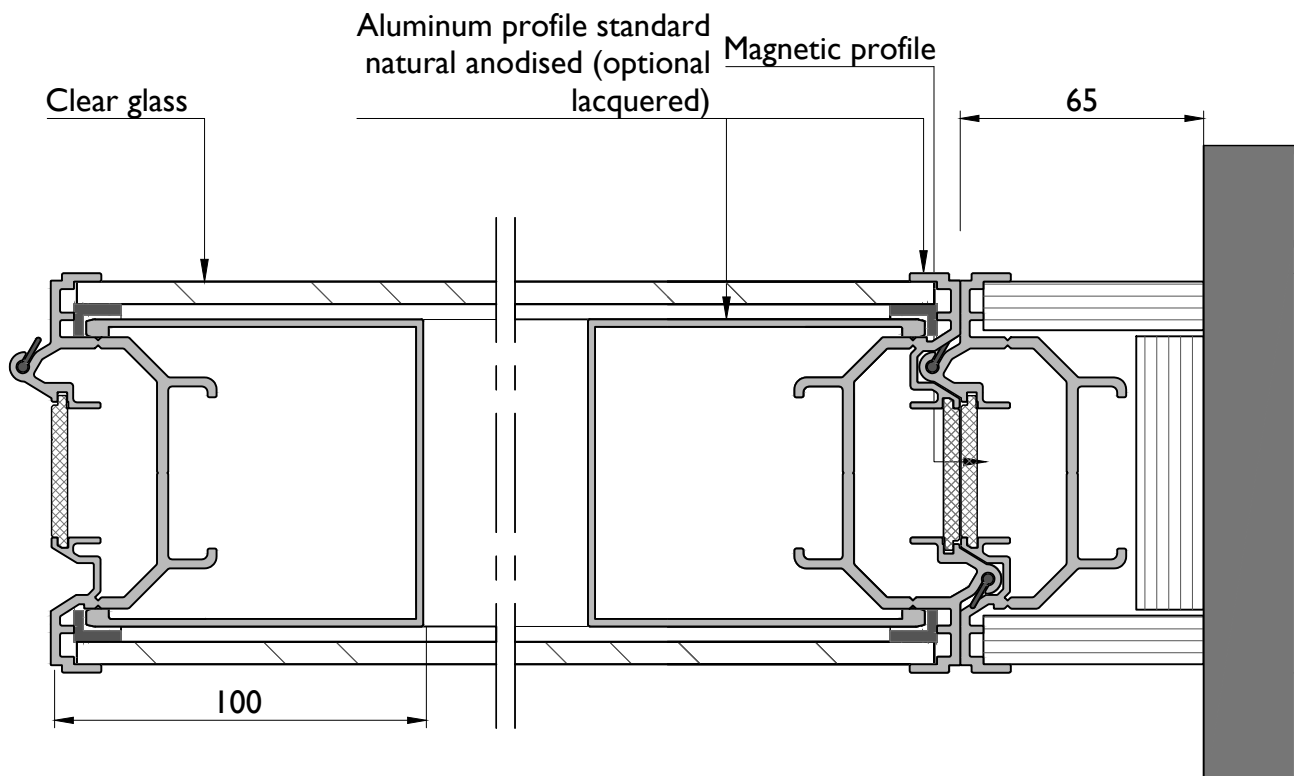
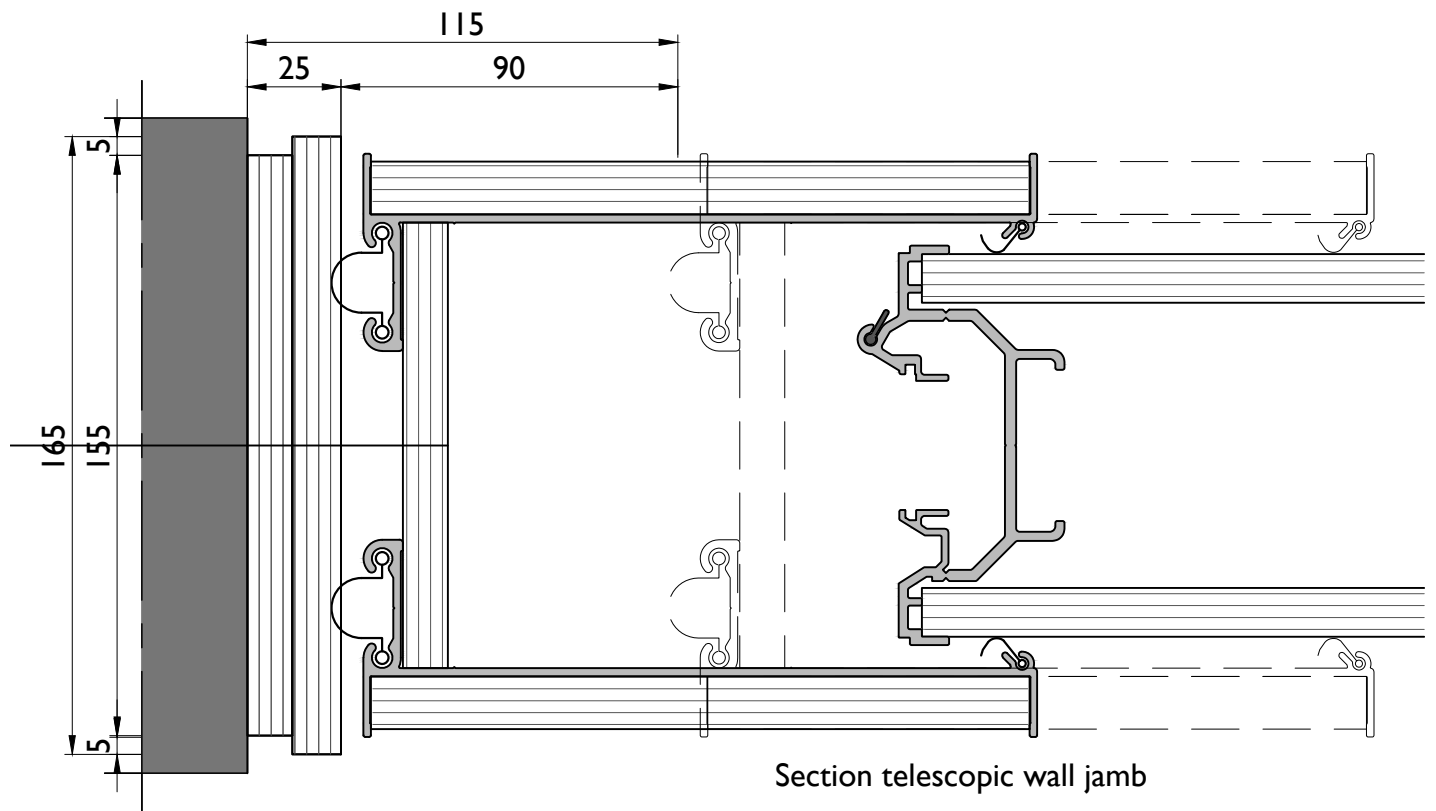
ESPERO

www.espero.eu
 info@espero.eu
 +31(0)416 338955

Type: Visio 100

Date: 10-2020

Drawing no: V100-11



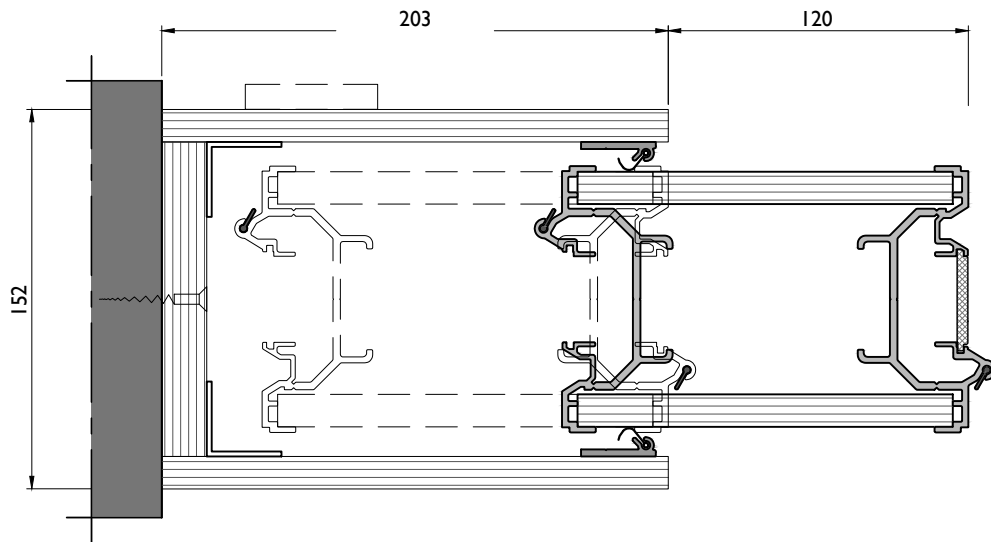
ESPERO

www.espero.eu
 info@espero.eu
 +31(0)416 338955

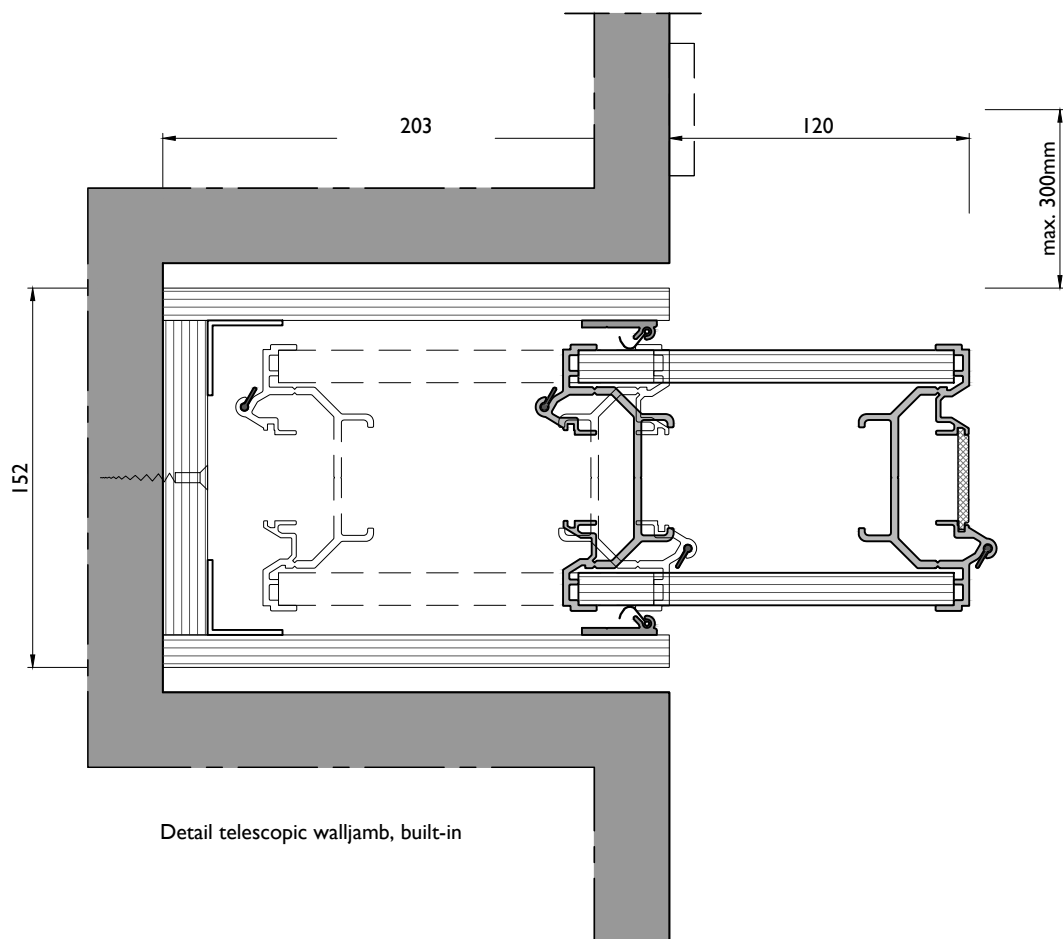
Type: Visio 100

Date: 10-2020

Drawing no: V100-12



Detail telescopic walljamb,
direct on structure



Detail telescopic walljamb, built-in

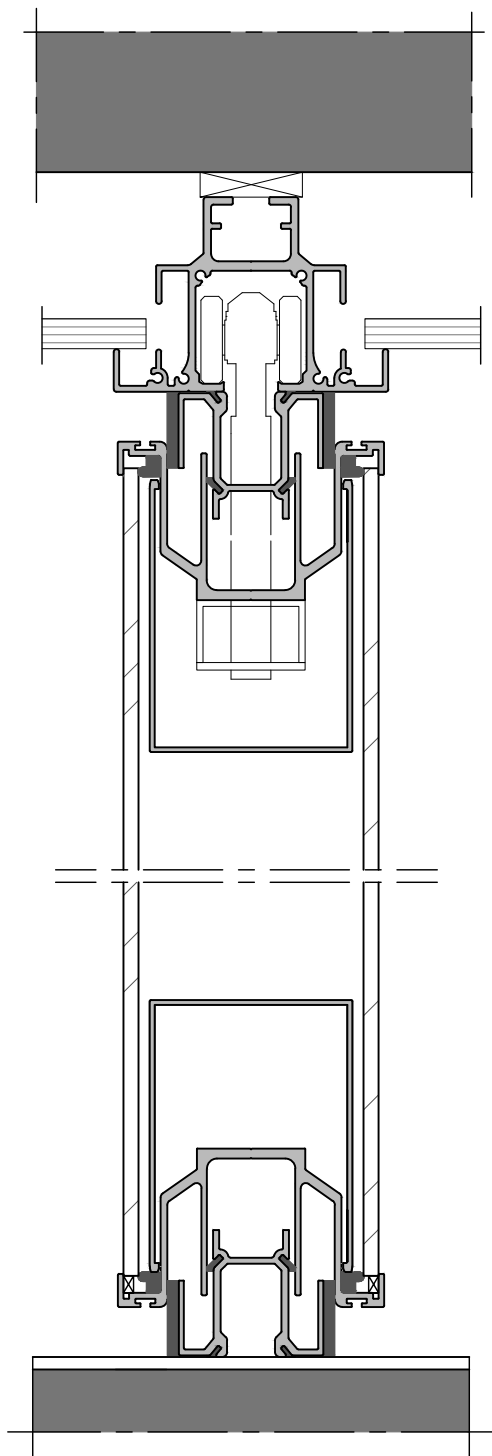
ESPERO

www.espero.eu
info@espero.eu
+31(0)416 338955

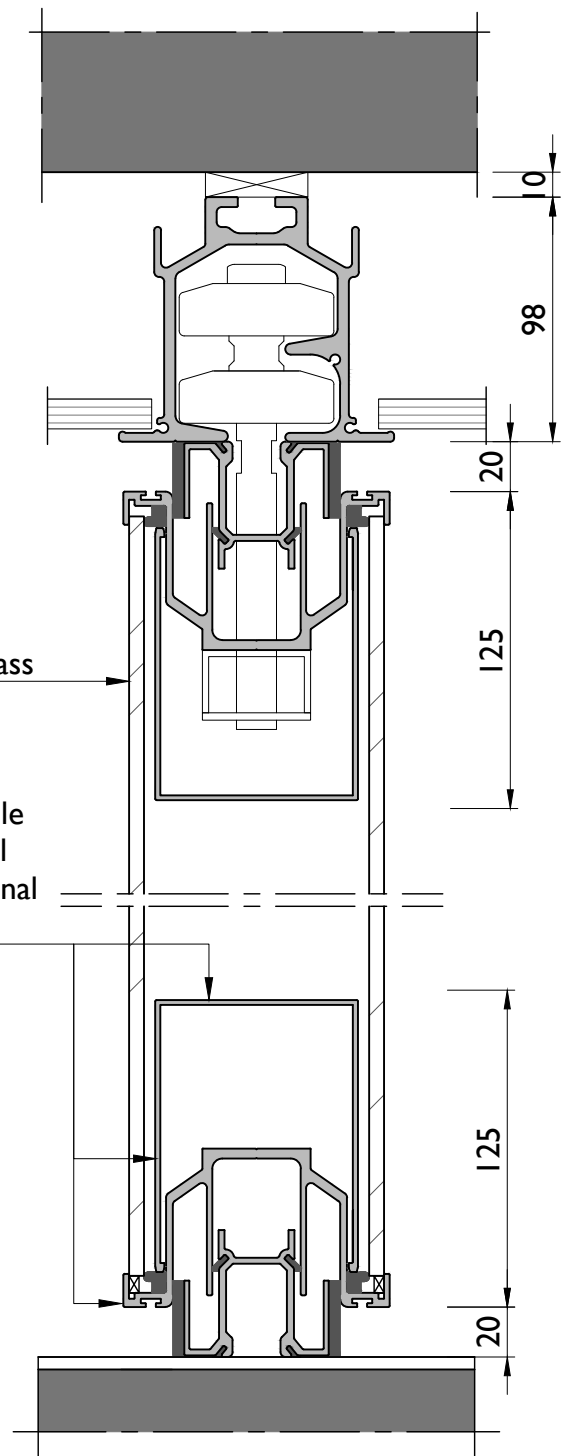
Type: Visio 100

Date: 10-2020

Drawing no: V100-13



1-point suspension



2-point suspension

Clear glass

Aluminum profile
standard natural
anodised (optional
lacquered)

Please note: track fixation is an example. Please see suspension details for possibilities.

ESPERO

www.espero.eu
info@espero.eu
+31(0)416 338955

Type: Visio 100

Date: 10-2020

Drawing no: V100-14